

Figure 5-2

CONNECTION DIAGRAM OF FLEXIBLE PCB

33-106059

DRWN	
CHKD	
ENCL	0.154.15414
APP	<i>[Signature]</i>

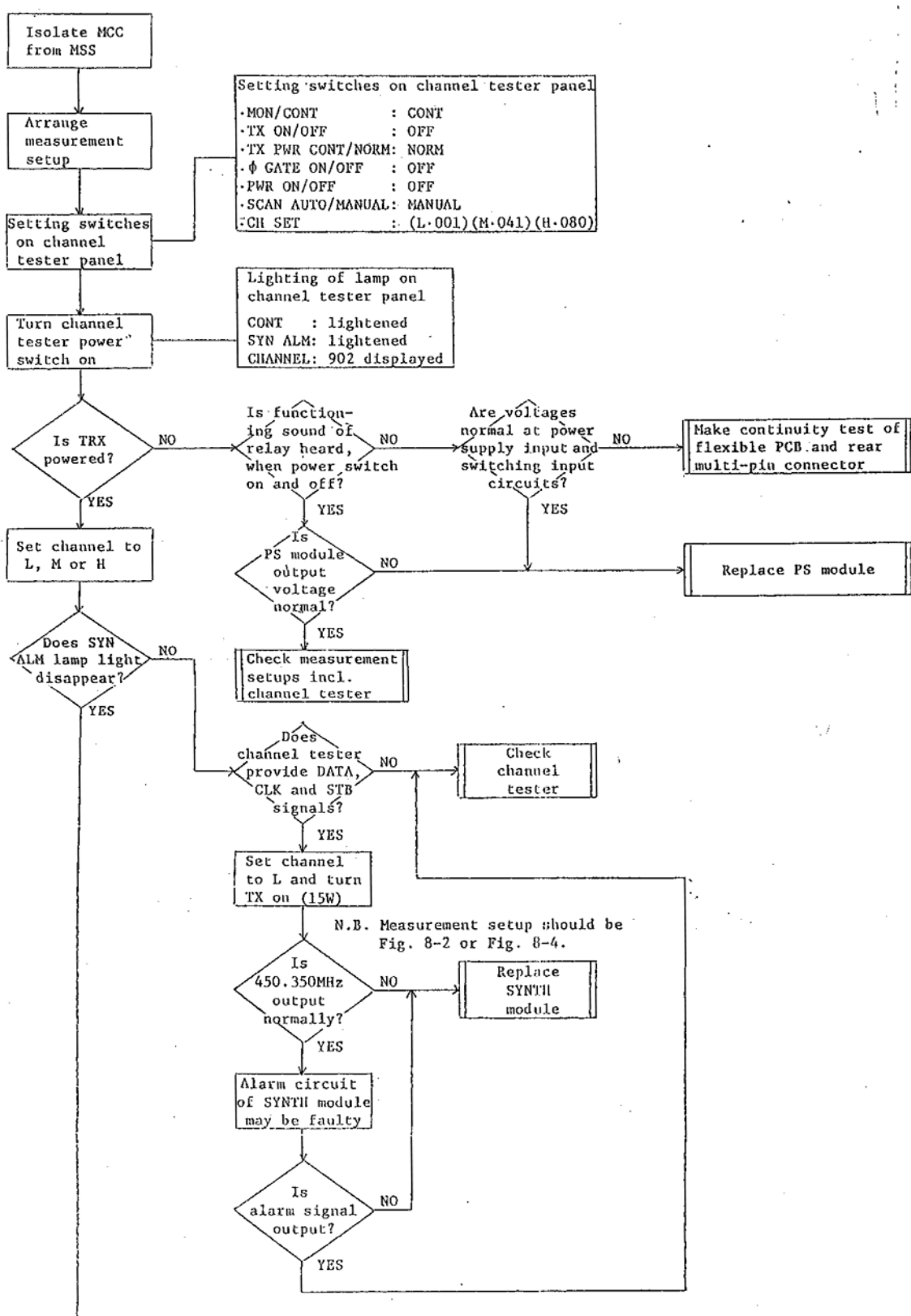
POUS-38 ST-127H16 D
Z 708
MTC-d-10

- 1 BATTERY
- 2 BATTERY (+)
- 3 BATTERY (-)
- 4 BATTERY GND
- 5 BATTERY GND
- 6 MAIN SW
- 7 ENTER TUNEMENT/HT
- 8 AF TO SW AMP
- 9 HORN ALM
- 10 BUCKER ENBL
- 11 PS INT (D2)
- 12 HANDS FREE
- 13 MIC AF SW
- 14 MIC AF GND
- 15 EMERGENCY SW
- 16 HORN SW
- 17 CCIR POWER/FADER
- 18 2-40Hz FL TONE
- 19 NC
- 20 DATA FROM HS
- 21 VSY KEY OUT
- 22 DBa
- 23 DBb
- 24 DBc
- 25 DBd
- 26 DBe
- 27 DBf
- 28 CLK TO HS
- 29 RELAY PAPER P/OUT
- 30 DATA TO HS
- 31 AF TO EARPHONE
- 32 INVERTED CD
- 33 RELAY PAPER ENBL
- 34 GND
- 35 SYNTH CLK
- 36 SYNTH STB
- 37 SYNTH DATA
- 38 SYNTH ALM
- 39 TX KEY
- 40 H.L.
- 41 PWR GND
- 42 PWR MAN
- 43 C.D.L
- 44 C.D.F
- 45 GND
- 46 AF FROM RX SIG
- 47 AF TOTX

ST-16500-27
E/M

5/11/8

- Z100 (RM/AMP/PROZES)
 - 1 - RM/AMP GND7
 - 2 - PWR GND7 (H.L. POWER)
 - 3 - TX-ALM (GND7)
 - 4 - TX-ALM (GND)
 - 5 - V.C
 - 6 - GND
 - 7 - TX-ALM (H/L)
- Z101 (TX)
 - 1 - GND
 - 2 - TX-ALM (GND)
 - 3 - TX-ALM (GND7)
 - 4 - V.C
 - 5 - GND
 - 6 - TX-ALM (H/L)
- Z102 (RX)
 - 1 - GND
 - 2 - RX-ALM (GND)
 - 3 - RX-ALM (GND7)
 - 4 - COM (GND)
 - 5 - GND
 - 6 - C.D.L (GND7)
 - 7 - V.C
- Z103 (SYNTH/OSC)
 - 1 - GND
 - 2 - PS (GND2)
 - 3 - STB
 - 4 - CLK
 - 5 - V.C
 - 6 - V.C
 - 7 - A.S.V
- Z104 (SW)
 - 1 - GND
 - 2 - PS (GND2)
 - 3 - STB
 - 4 - CLK
 - 5 - V.C
 - 6 - V.C
 - 7 - A.S.V
- Z105 (PS)
 - 1 - PS (GND2)
 - 2 - STB
 - 3 - CLK
 - 4 - V.C
 - 5 - V.C
 - 6 - A.S.V
- Z106 (RM/AMP/PROZES)
 - 1 - RM/AMP GND7
 - 2 - PWR GND7 (H.L. POWER)
 - 3 - TX-ALM (GND7)
 - 4 - TX-ALM (GND)
 - 5 - V.C
 - 6 - GND
 - 7 - TX-ALM (H/L)



Setting switches on channel tester panel

- MON/CONT : CONT
- TX ON/OFF : OFF
- TX PWR CONT/NORM: NORM
- φ GATE ON/OFF : OFF
- PWR ON/OFF : OFF
- SCAN AUTO/MANUAL: MANUAL
- CH SET : (L·001)(M·041)(H·080)

Lighting of lamp on channel tester panel

- CONT : lightened
- SYN ALM: lightened
- CHANNEL: 902 displayed

Check measurement setups incl. channel tester

Check channel tester

Replace SYNTH module

N.B. Measurement setup should be Fig. 8-2 or Fig. 8-4.

Alarm circuit of SYNTH module may be faulty

To FLOW CHART 2 for checking transmitter (TX)

To FLOW CHART 3 for checking receiver (RX)

FLOW CHART 1

Figure 8-5

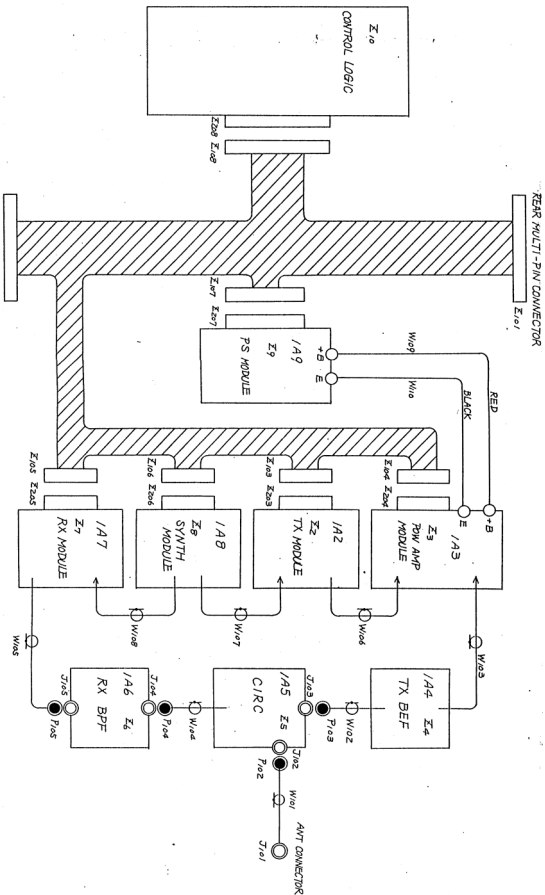


Figure 5-1

MOBILE-BASIS
STRUCTURE DIAGRAM
ON (1A1) CHASSIS

33-107413

ENGINE

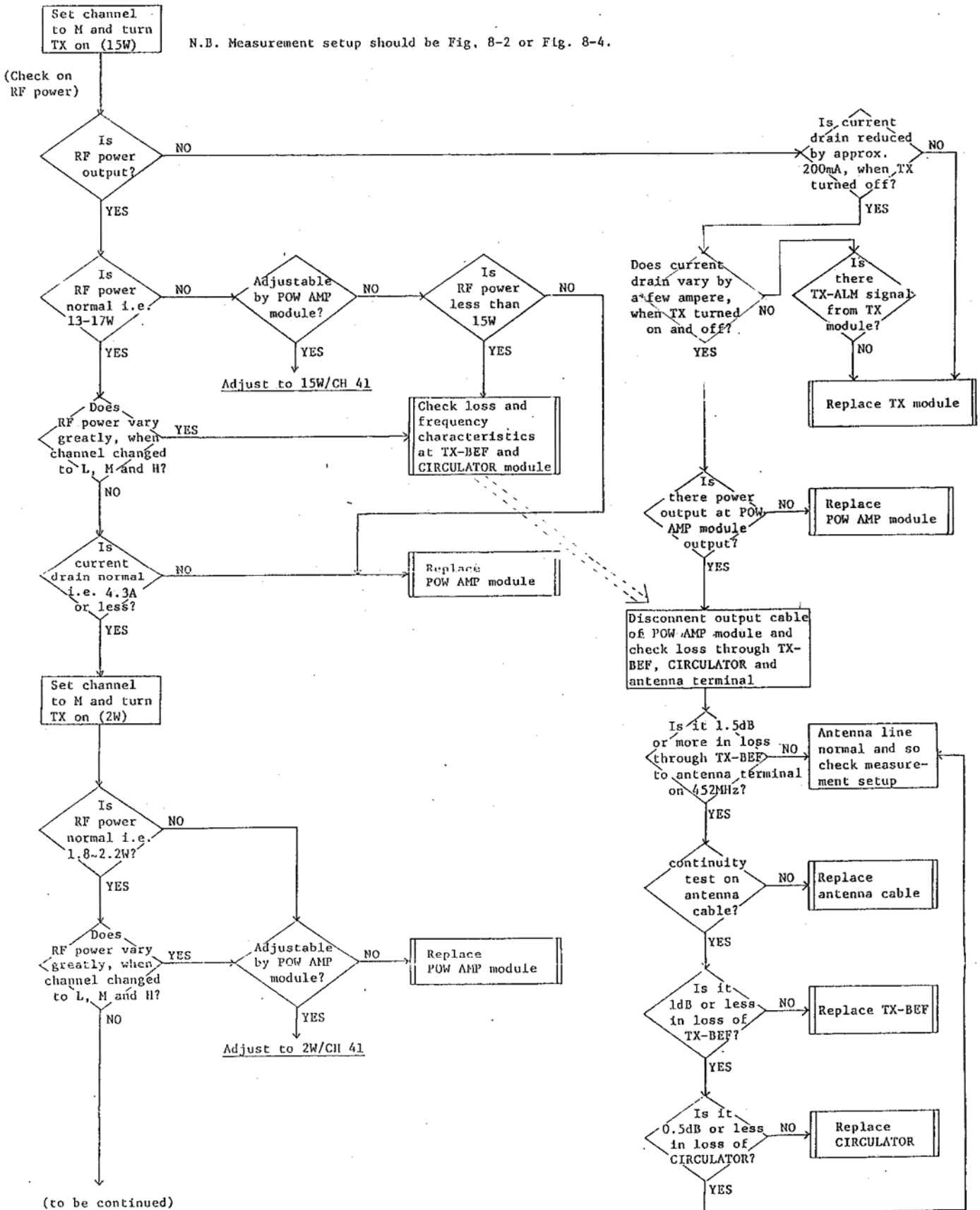
CHNO.

ENG. M. Tanaka

APP. *M. Tanaka*

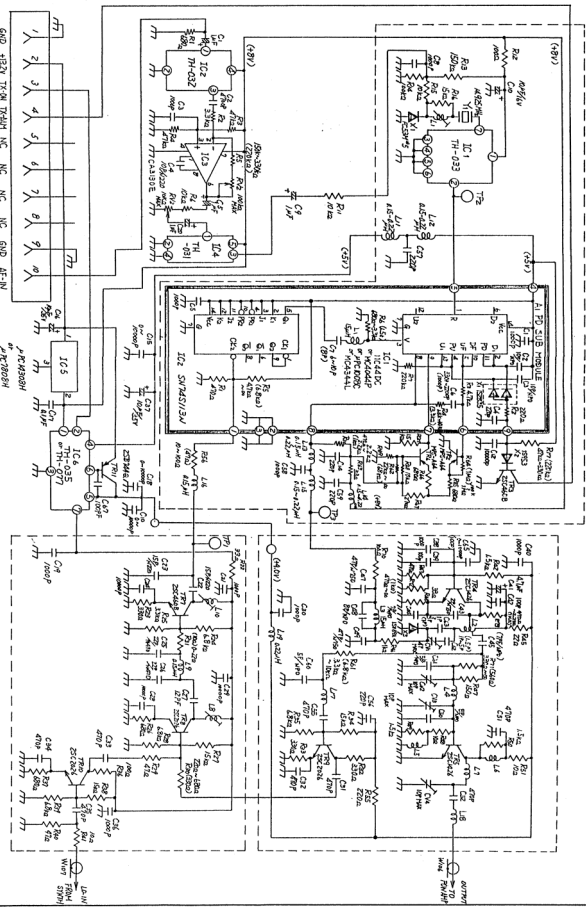
CHECK ON TRANSMITTER (TX)

N.B. Measurement setup should be Fig. 8-2 or Fig. 8-4.



(to be continued)

REG. NO.	DATE	REVISION
1		
2		
3		
4		
5		
6		
7		
8		
9		
10		
11		
12		
13		
14		
15		
16		



AP _____
 ROLL _____
 DRAWN _____
 CHKD. _____
 ENG. _____
 APP. _____
 K. S. S. 6

2 223
 5124-10B P84

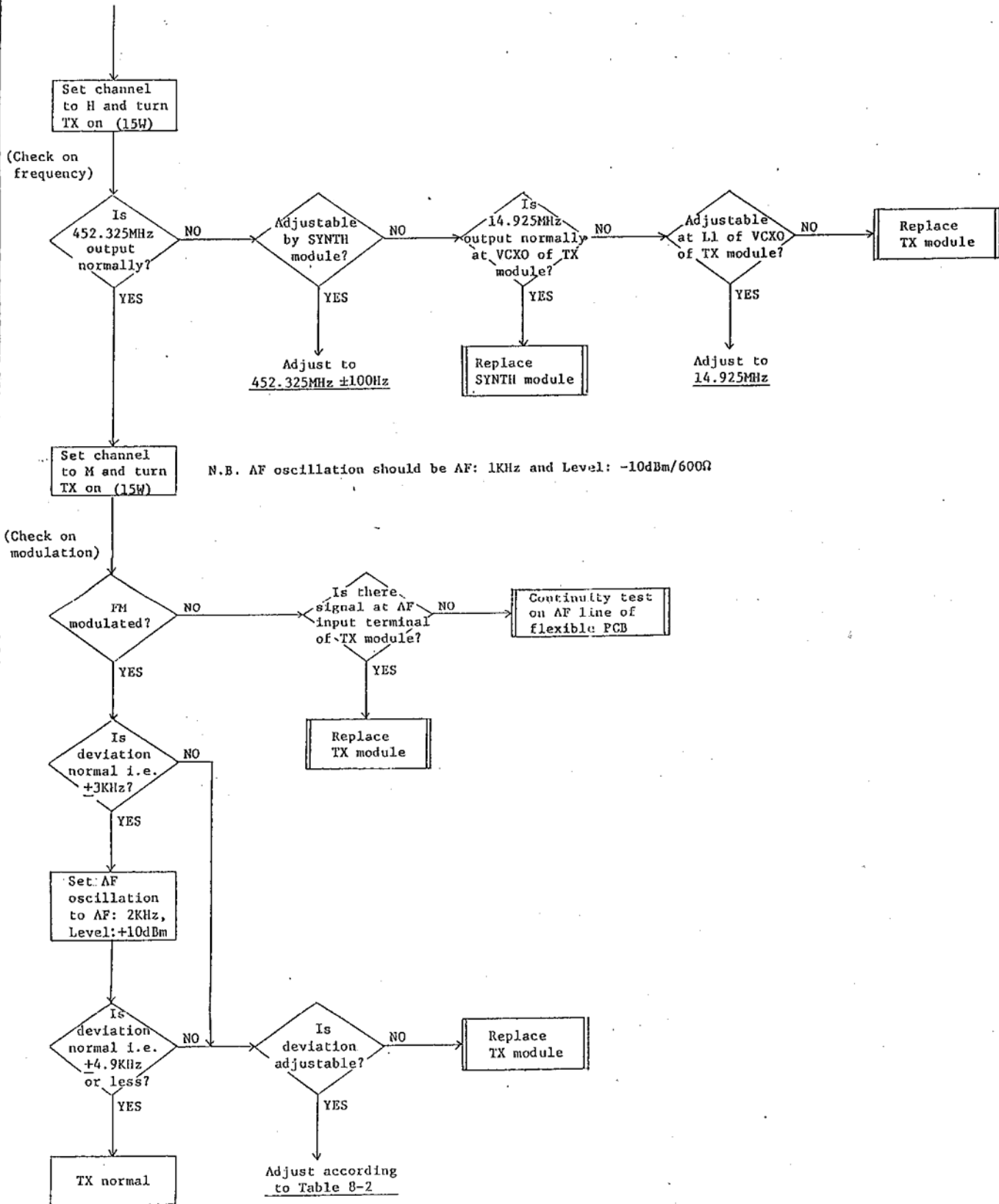
(A2)

CIRCUIT DIAGRAM OF TX MODULE

33-106054

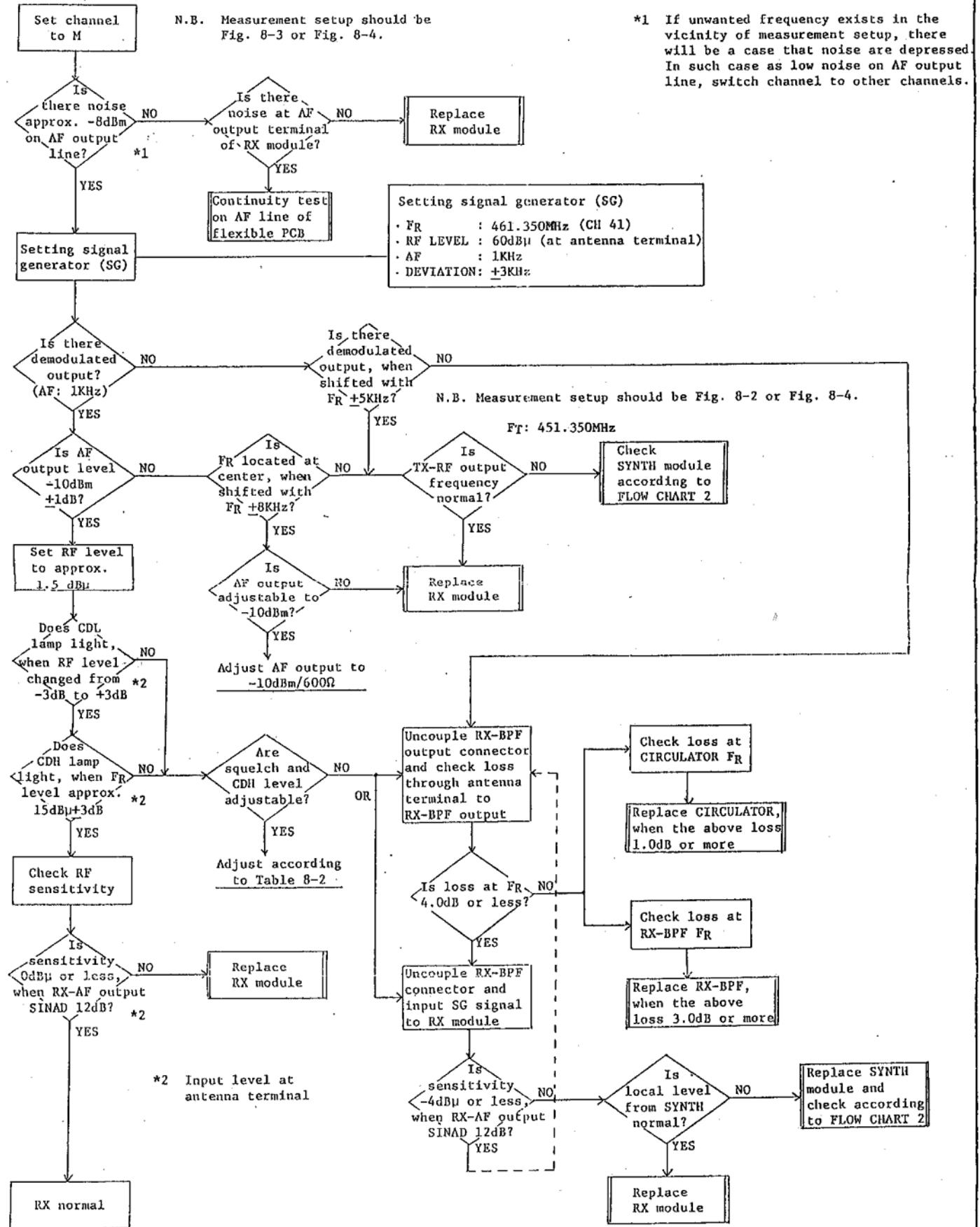
1 2 3 4 5 6 7 8 9 0 1 1 2 3 4 5 6
TOYOCOM
 THE COMMUNICATION EQUIPMENT CO. LTD.

(from FLOW CHART 2-1)



FLOW CHART 2-2

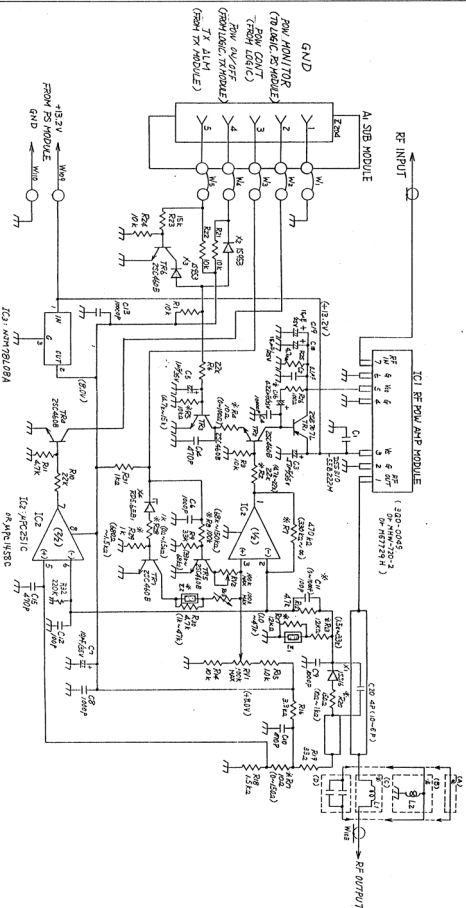
CHECK ON RECEIVER (RX)



After completing all the above processes at channel M, repeat them at channel L and H.

REVISION

NO.	DATE
1	
2	
3	
4	
5	
6	
7	
8	
9	
10	
11	
12	
13	
14	
15	
16	

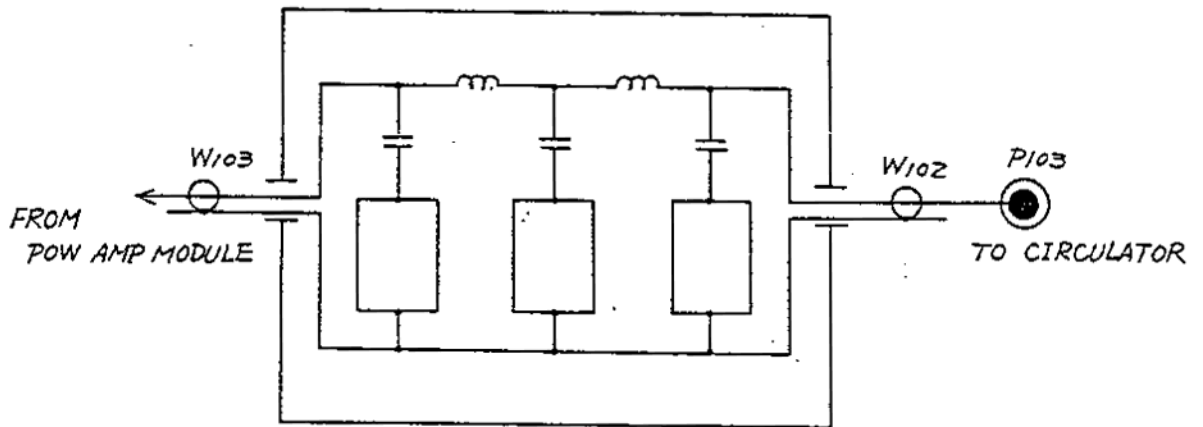


* shows adjustment point.

AP
ROLL
DRWN.
CHKD.
ENG.
APP.
K. Saito

(1A3)
 CIRCUIT DIAGRAM OF PWA AMP MODULE
 33-106055
 TOYOCOM

REVISION



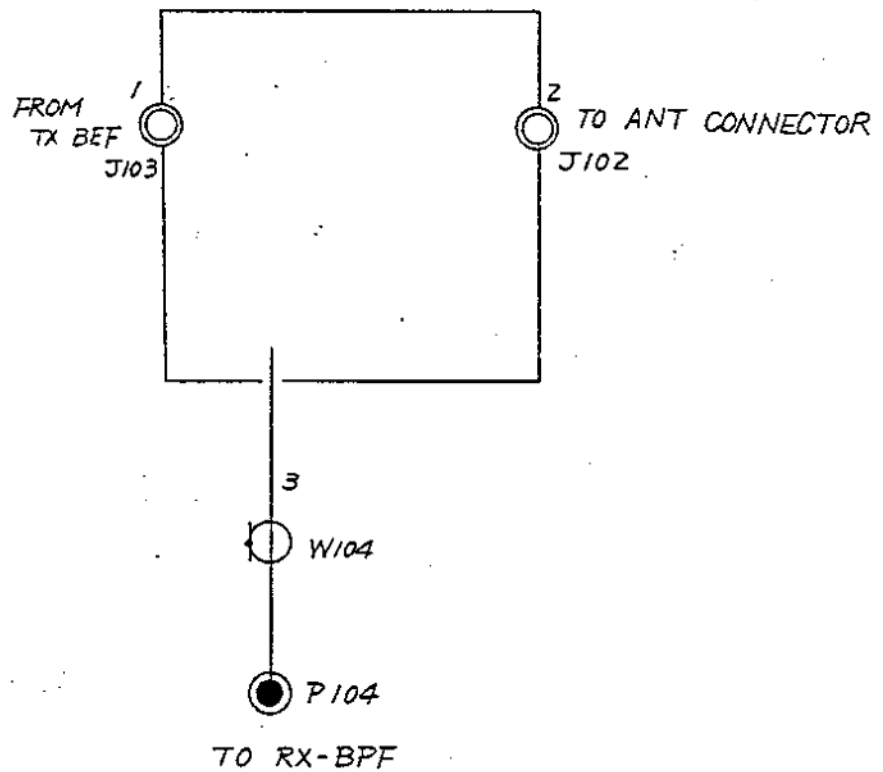
DRWN.
CHKD.
ENG.
Koga
APP.
y. [signature]

(1A4)

CIRCUIT DIAGRAM OF TX BEF

34-103764

REVISION



DRWL

CHKD.

ENG

Koga

APP.

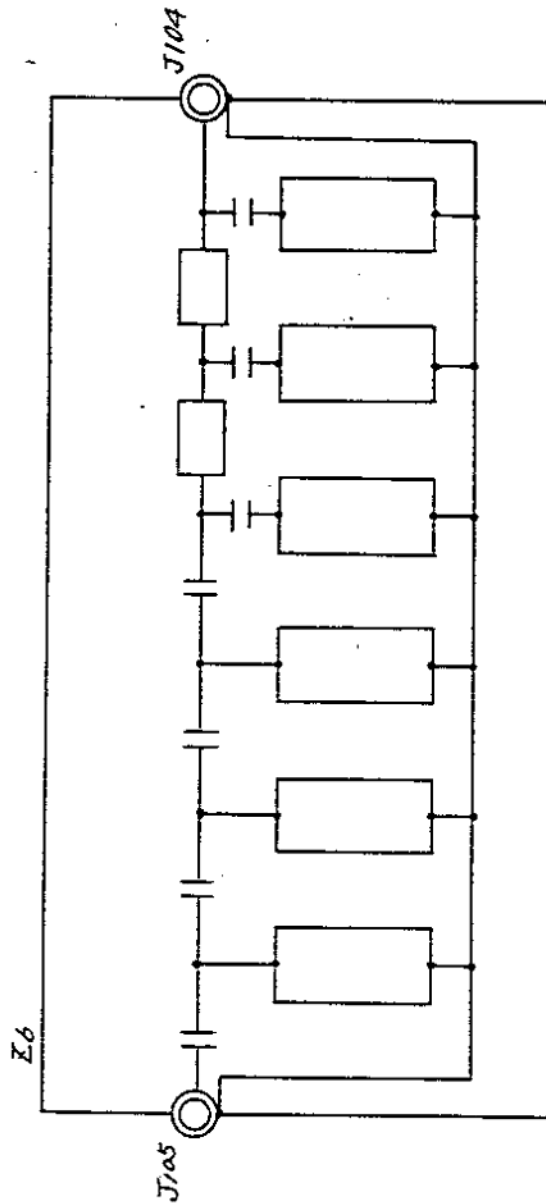
Y. Nishida

(1A5)

CIRCUIT DIAGRAM OF CIRCULATOR

34-103765

REVISION



DRWN.
CHKD.
ENG.
Koga
APP.
y. m.

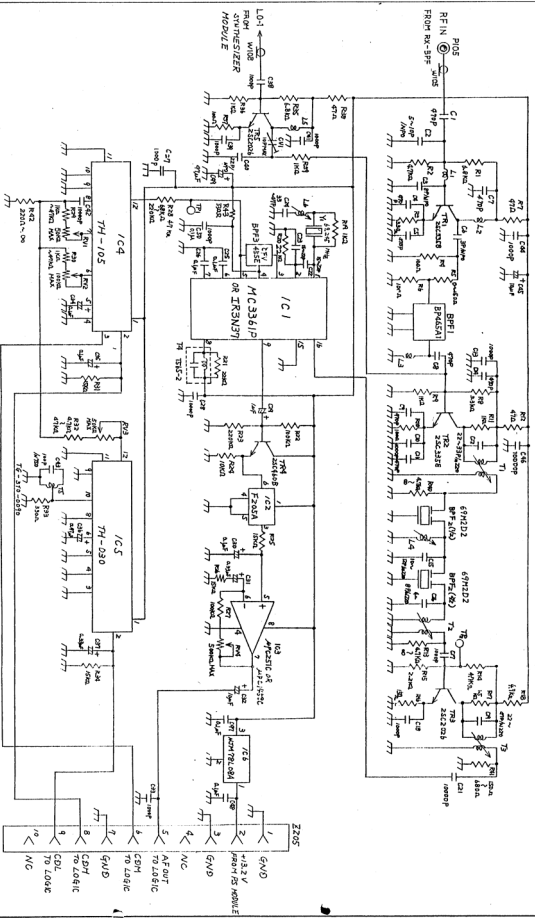
(1A6)

CIRCUIT DIAGRAM OF RX BPF

34-103766

REV. NO.	DATE
1	
2	
3	
4	
5	
6	
7	
8	
9	
10	
11	
12	
13	
14	
15	
16	

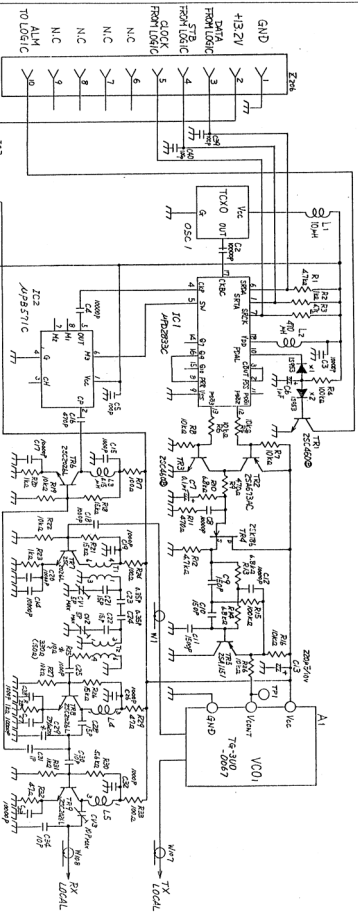
REVISION



AP	
ROLL	
DRAWN	
CHKD.	
ENG.	K. Saito
APP.	K. Saito
DES.	

(IA7)
CIRCUIT DIAGRAM OF RX MODULE
33-106056
TOYOCON
THE COMMUNICATIONS COMPANY, LTD. JAPAN

REG. NO.	DATE	REVISION
1		
2		
3		
4		
5		
6		
7		
8		
9		
10		
11		
12		
13		
14		
15		
16		



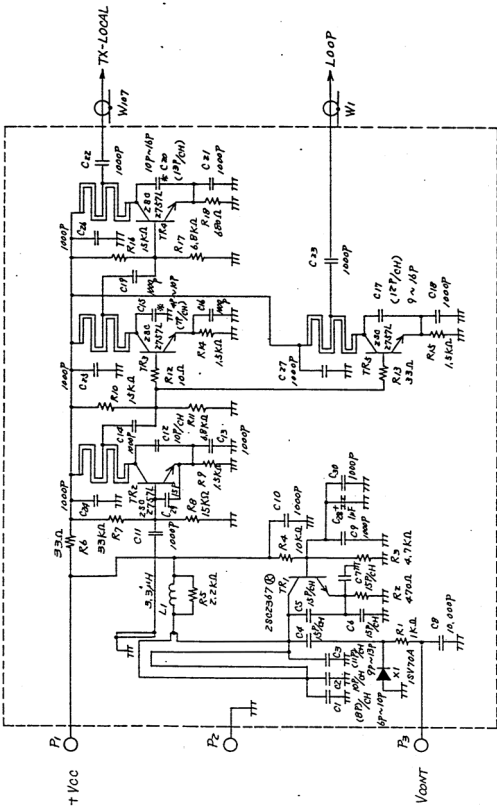
* Shows adjustment point

AP	ROLL	DRWN.	CHKD.	ENG.	APP.
				K. Mhp	K. Sht

(1A8)
 CIRCUIT DIAGRAM OF SYNTHESIZER MODULE
 33-106057

REVISION

7.2.1984 *yudo*
 C29, C30: ADDITIONAL



DRWN

CHKD

ENG

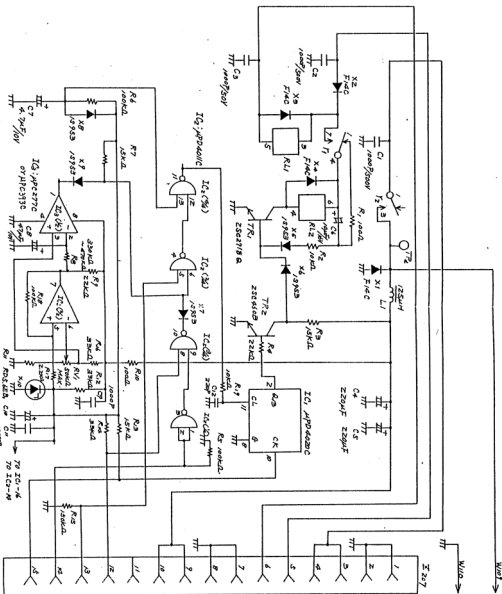
O. Ishibashi

APP

(1A8A1)

CIRCUIT DIAGRAM OF VCO

34-105876



W01 → TO PW AMP MODULE (+B)

W02 → TO PW AMP MODULE (GND)

FROM BATTERY (GND)

(-B)

FROM BATTERY --- BATT

TO MAIN SW

GND

+B (OUT)
+B (OUT)
+B (OUT)

NC

P.H. FROM PW AMP MODULE

ADJUSTORS RESET

FROM LOGIC

C.D.L. FROM RX MODULE

CLOCK (60MHz)

FROM LOGIC

(1A9)

CIRCUIT DIAGRAM OF

PS MODULE

33-107412

DRAWN

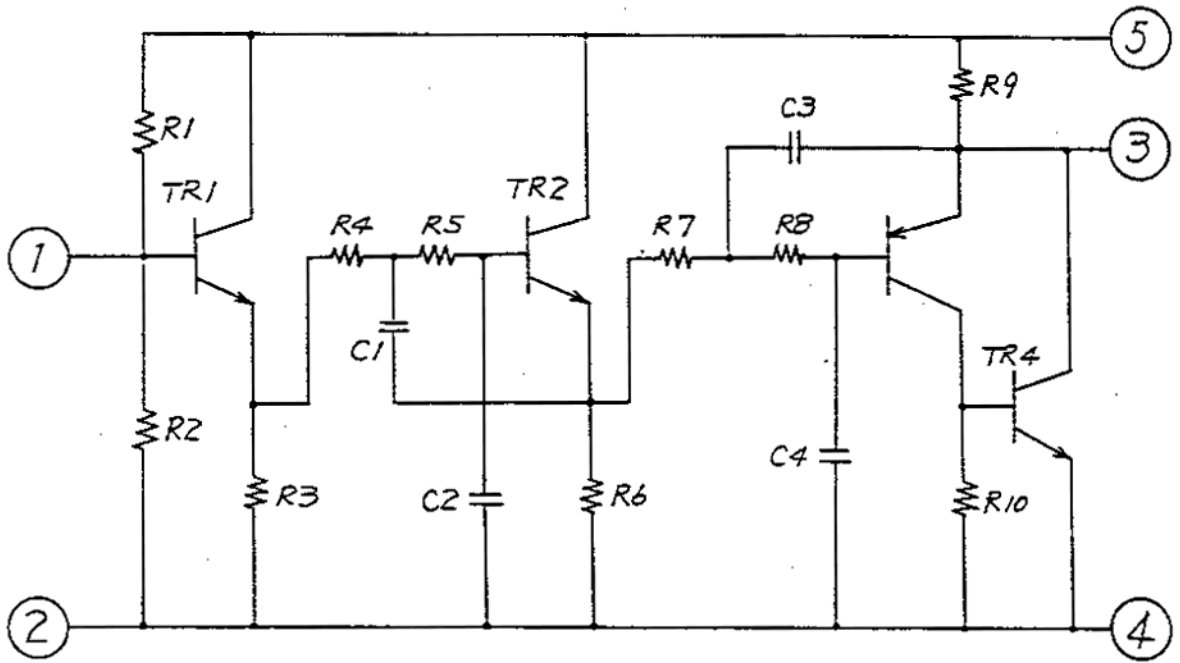
CHKD

ENG.

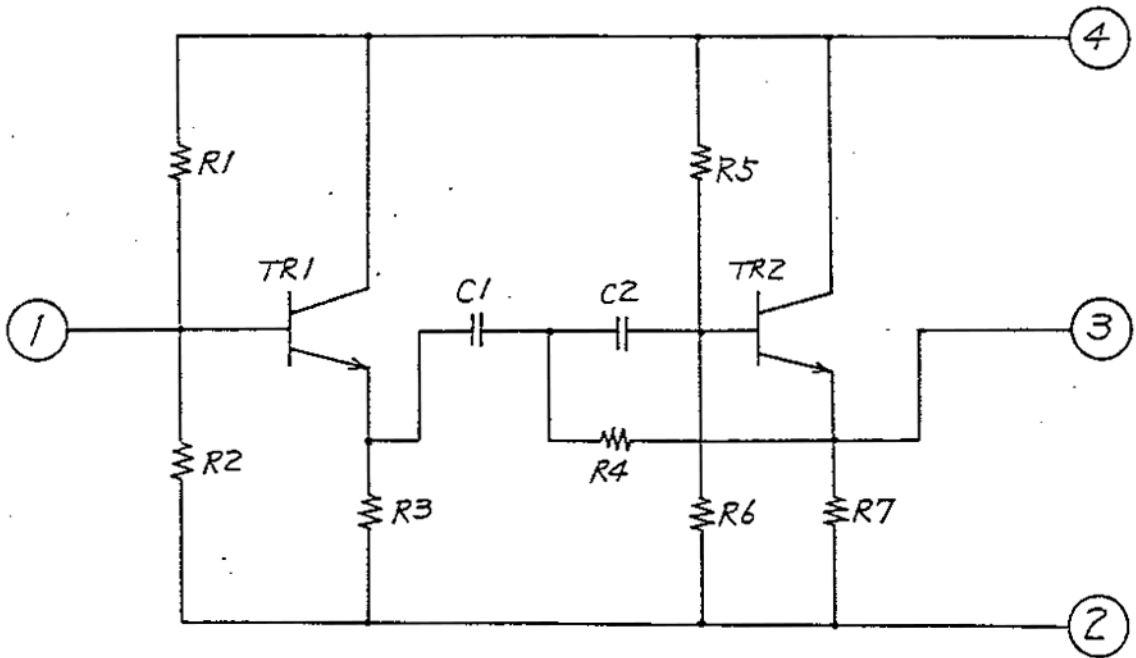
K. SODA

APP.

Y. NISHIDA



TH-031 (3.3K-LPF)



TH-032 (350-HPF)

DRWN.

CHKD.

ENG.

APP.

U. Tani

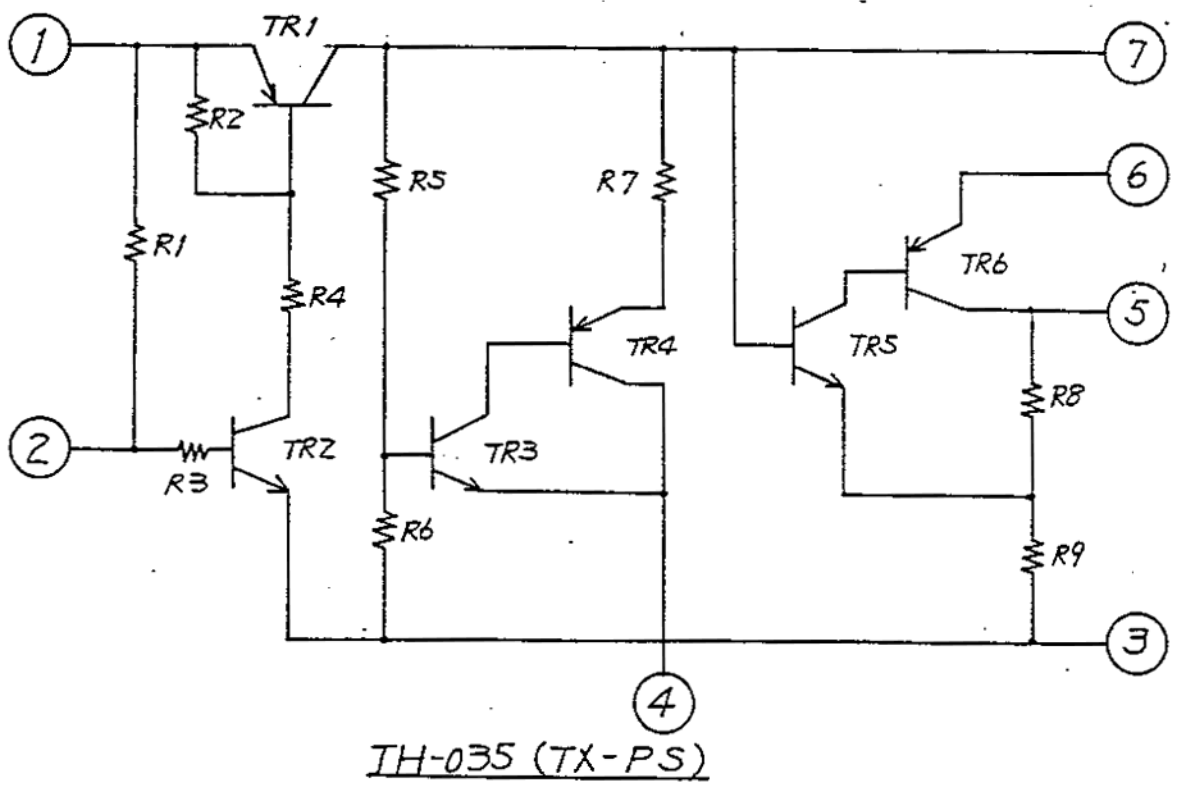
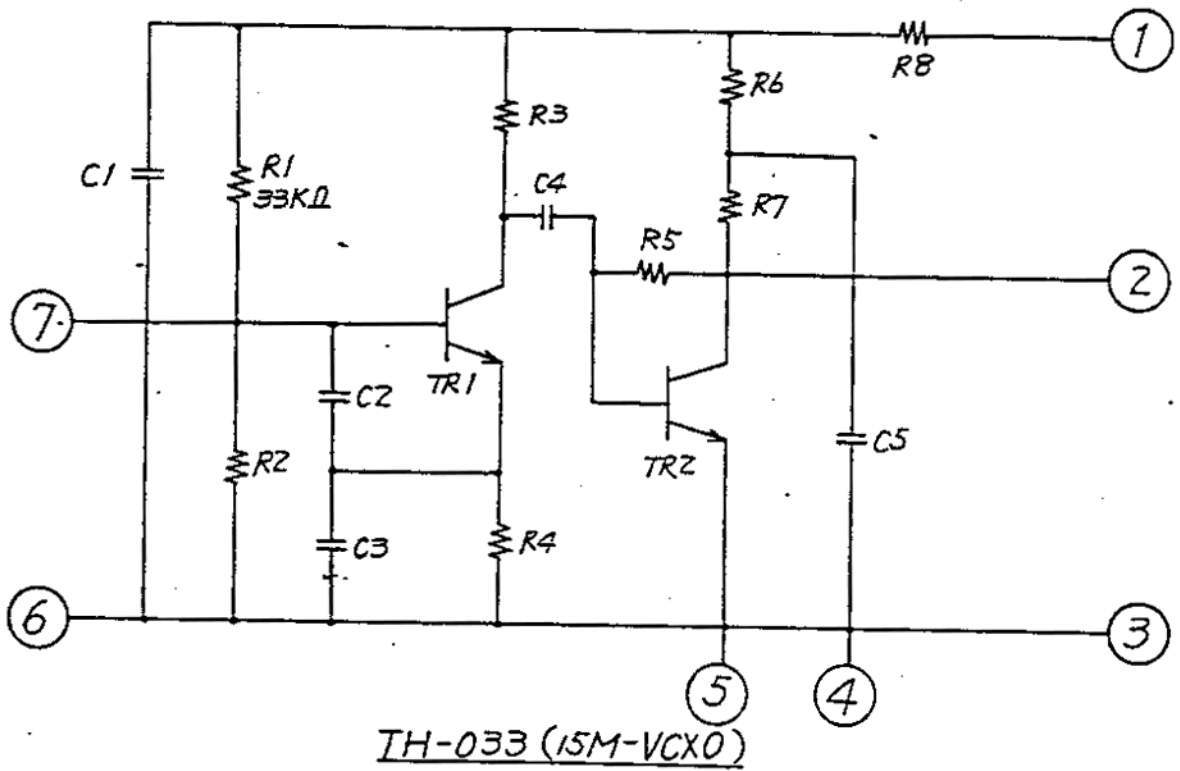
H I C C I R C U I T

TH-031 (3.3K-LPF)

TH-032 (350-HPF)

REGIST.	
NO	DATE
1	
2	
3	
4	
5	
6	
7	
8	
9	
10	
11	
12	
13	
14	
15	
16	

REVISION



AP
ROLL
DRWN.
CHKD.
ENG.
APP. K.sato

HIC CIRCUIT

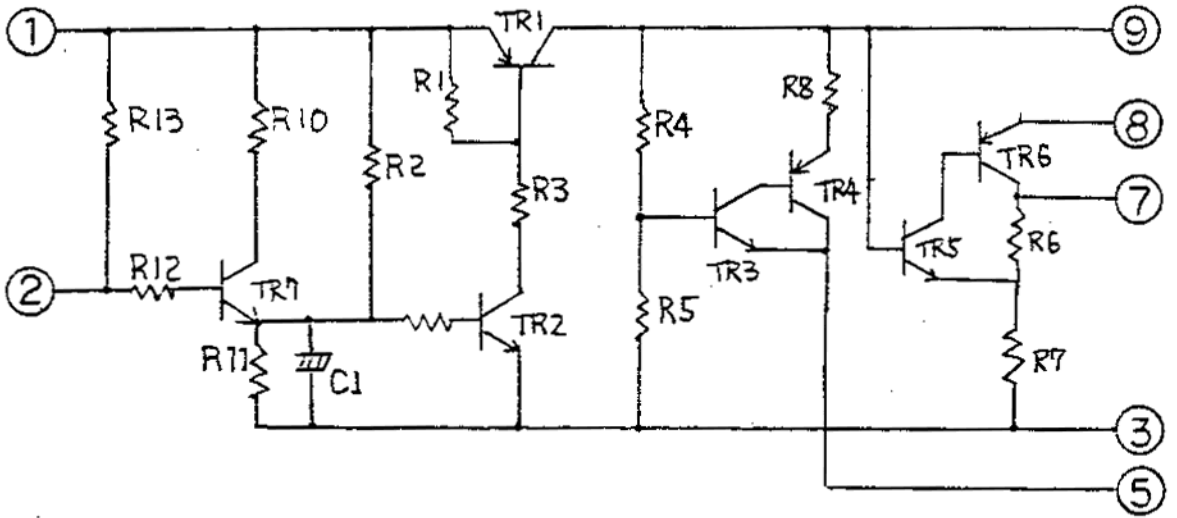
TH-033 (15M-VCXO)
TH-035 (TX-PS)

1	2	3	4	5	6	7	8	9	10	11	12	13	14	15	16
---	---	---	---	---	---	---	---	---	----	----	----	----	----	----	----

TOYOCOM
TOYO COMMUNICATION EQUIPMENT CO., LTD.

REGIST. NO	DATE
1	
2	
3	
4	
5	
6	
7	
8	
9	
10	
11	
12	
13	
14	
15	
16	

REVISION



TH-077(TX-PS)

AP
ROLL
DRWN.
CHKD.
ENG.
APP. k.sato

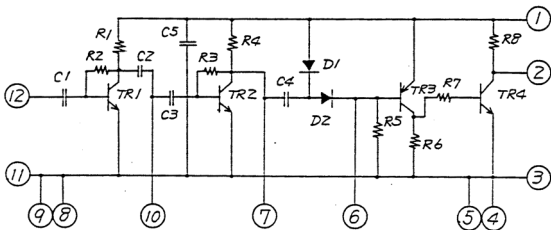
HIC CIRCUIT

TH-077(TX-PF)

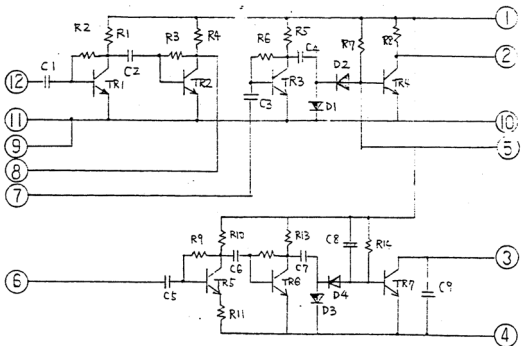
1	2	3	4	5	6	7	8	9	10	11	12	13	14	15	16
---	---	---	---	---	---	---	---	---	----	----	----	----	----	----	----

REGIST. NO	DATE
1	
2	
3	
4	
5	
6	
7	
8	
9	
10	
11	
12	
13	
14	
15	
16	

REVISION



TH-030 (L-DET)



TH-105 (MH-DET)

AP
ROLL
DRWN.
CHKD.
ENG.
APP. H. Sato

HIC CIRCUIT

TH-030(L-DET)

TH-105(MH-DET)

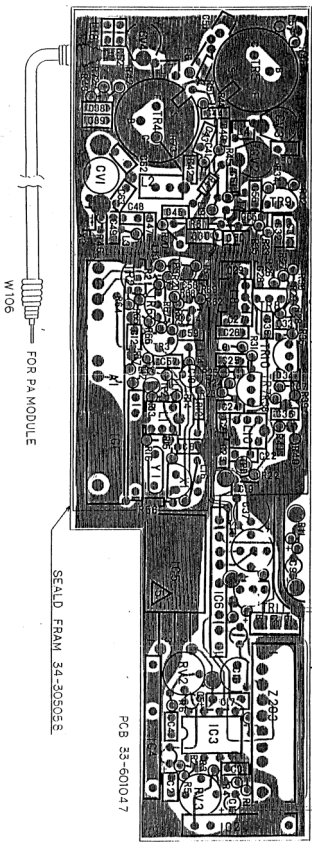
1 2 3 4 5 6 7 8 9 10 11 12 13 14 15 16

TOYOCOM
TOYO COMMUNICATION EQUIPMENT CO. LTD

REGIST.	NO.	DATE
1		
2		
3		
4		
5		
6		
7		
8		
9		
10		
11		
12		
13		
14		
15		
16		

REVISION

- INSULATOR 34-305064
- SEALD COVER 34-305057
- INSULATOR 34-304893
- SEALD FRAME 34-305056
- SEALD COVER 34-305055
- SEALD FRAME 34-305054



MOUNT FACE

(1A2)
TX MODULE PCB PART LOCATION DETAILS (1/2)

112345678 910111213141516

33-755665

TOYOCOM

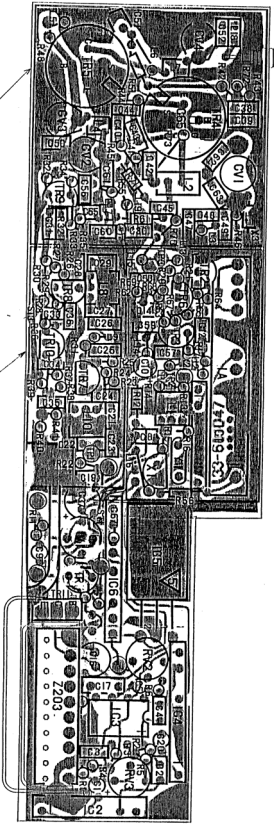
TOYOCOM CORPORATION, CHIBA-CITY, JAPAN

AP
FOLL
DRWN
CHKD
ENG
App
K-3826

REGIST. NO.	DATE
1	
2	
3	
4	
5	
6	
7	
8	
9	
10	
11	
12	
13	
14	
15	
16	

REVISION

W106
FOR PA MODULE



SEALD BOARD 34-305060
INSULATOR 34-305062

SEALD BOARD 34-305061
INSULATOR 34-305063

SOLDER FACE

AP
ROLL
DRWN.
CHKD.
ENR.
APP. *P. K. 2/16*
K. 2/16

(1A 2)
TX MODULE PCB PART LOCATION DETAILS (2/2)

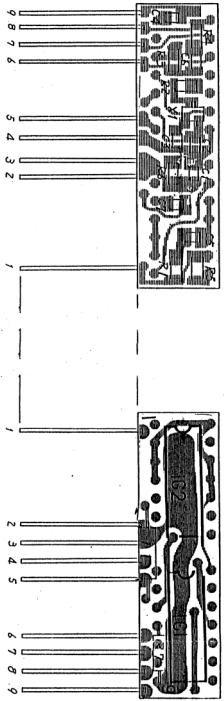
33-755666

1121314151617181910111213141516
TOYOCOM
THE COMMUNICATIONS COMPANY OF JAPAN

REVISION

NO.	DATE
1	
2	
3	
4	
5	
6	
7	
8	
9	
10	
11	
12	
13	
14	
15	
16	

PCB: 34-601146



SOLDER FACE

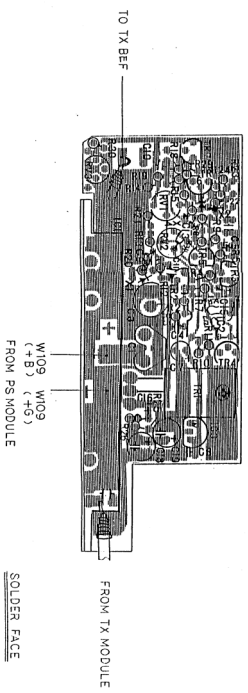
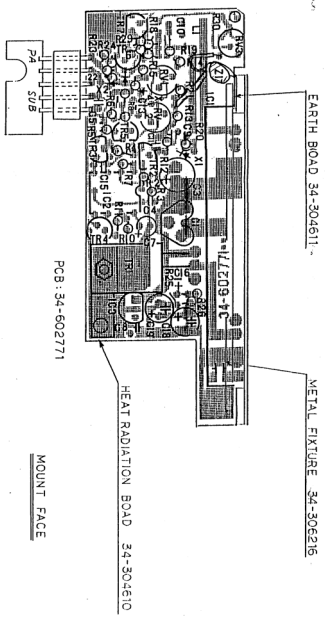
MOUNT FACE

(1A2A1)
PD-SUB MODULE PCB PART LOCATION DETAILS 33-755667

1 2 3 4 5 6 7 8 9 10 11 12 13 14 15 16
TOYOCOM
TOYO COMMUNICATIONS SYSTEMS INC.

AP
ROLL
DRAWN
CHKD.
ENG.
APP. *D. J. ...*
K. 3025

REQST. NO	REVISION
1	
2	
3	
4	
5	
6	
7	
8	
9	
10	
11	
12	
13	
14	
15	
16	



(1A3)
 PA MODULE PCB PART LOCATION DETAILS
 33-755668

112345678910111213141516
TOYOCOM
 TOKYO, JAPAN

AP
 ROLL
 DRAWN
 CHKD.
 ENGS
 App
 K.S.G

REQST. NO.	REVISION
1	
2	
3	
4	
5	
6	
7	
8	
9	
10	
11	
12	
13	
14	
15	
16	

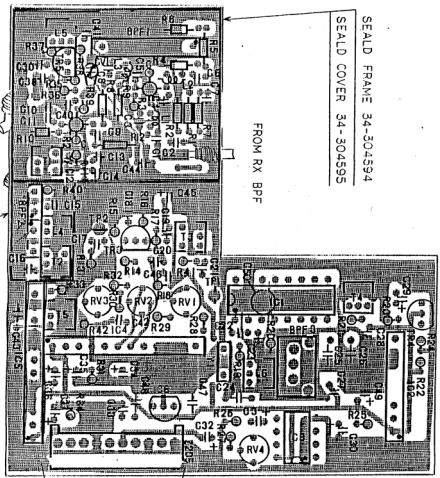
AP	ROLL

DRAWN	CHKD.

ENG. *D. Logg*
 App. *K. 3016*

REVISION

SEALD FRAME 34-304594
 SEALD COVER 34-304595



SEALD FRAME 34-304596
 SEALD COVER 34-304597

MOUNT FACE

(1A7)
 RX MODULE PCB PART LOCATION DETAILS (1/2) 33-755669

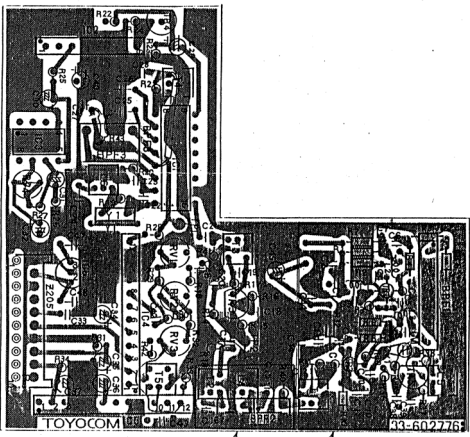
1 2 3 4 5 6 7 8 9 10 11 12 13 14 15 16

TOYOCON

TOYO CONSTRUCTION EQUIPMENT CO. LTD.

REGIST. NO.	REVISION
1	
2	
3	
4	
5	
6	
7	
8	
9	
10	
11	
12	
13	
14	
15	
16	

APP. *D. Koyama*
 END.
 CHKD.
 DRAWN.
 ROLL
 AP
 K. Saito



SEALD FRAME (34-304594)
 SEALD COVER (34-304595)
 SEALD FRAME (34-304596)
 SEALD COVER (34-304597)

SOLDER FACE

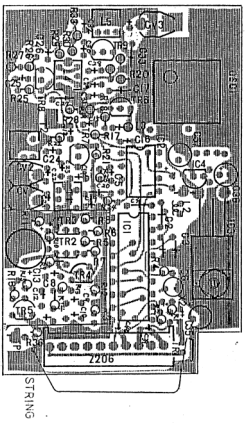
(1A7)
 RX MODULE PCB PARTS LOCATION DETAILS (2)
 33-755670

1 2 3 4 5 6 7 8 9 10 11 12 13 14 15 16
TOYOCOM
TOYO CORPORATION TOKYO JAPAN

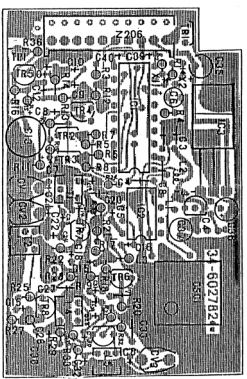
REG. ST.	NO.	DATE
1		
2		
3		
4		
5		
6		
7		
8		
9		
10		
11		
12		
13		
14		
15		
16		

REVISION

PCB: 34-602782



- SEALD FRAME 34-304588
- SEALD BOARD 34-304590
- INSULATOR 34-304873



AP
ROLL
DRAWN
CHKD.
ENG.
APP
K. Saito

(1A B)
SYNTH MODULE PCB PART LOCATION DETAILS
33-755671

1121314151617181910111213141516
TOYOCOM

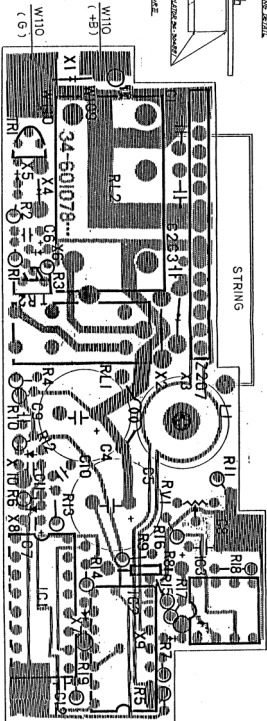
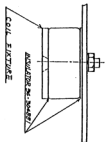
THE CORPORATION OF TOYOCOM CO. LTD.

REVISION
REQD. DATE

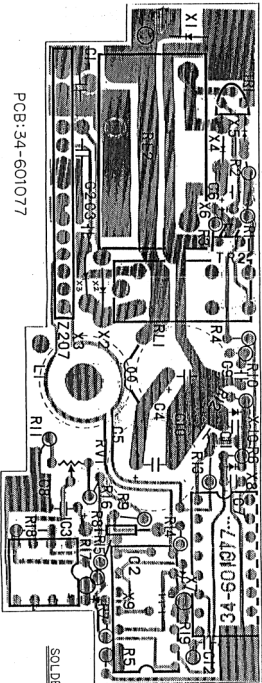
1
2
3
4
5
6
7
8
9
10
11
12
13
14
15
16

REVISION

ALL DIMENSIONS IN MILLI



MOUNT FACE



SOLDER FACE

PCB: 34-601077

AP
ROLL
DRWN.
CHKD.
ENGR.
App: *D. K. 3/4*
K-3416

(11A9)
PS MODULE PCB PART LOCATION DETAILS

33-755672

1121341516781910111213141516
TOYOCOM

REVISION

DRWN
T. Sawasue

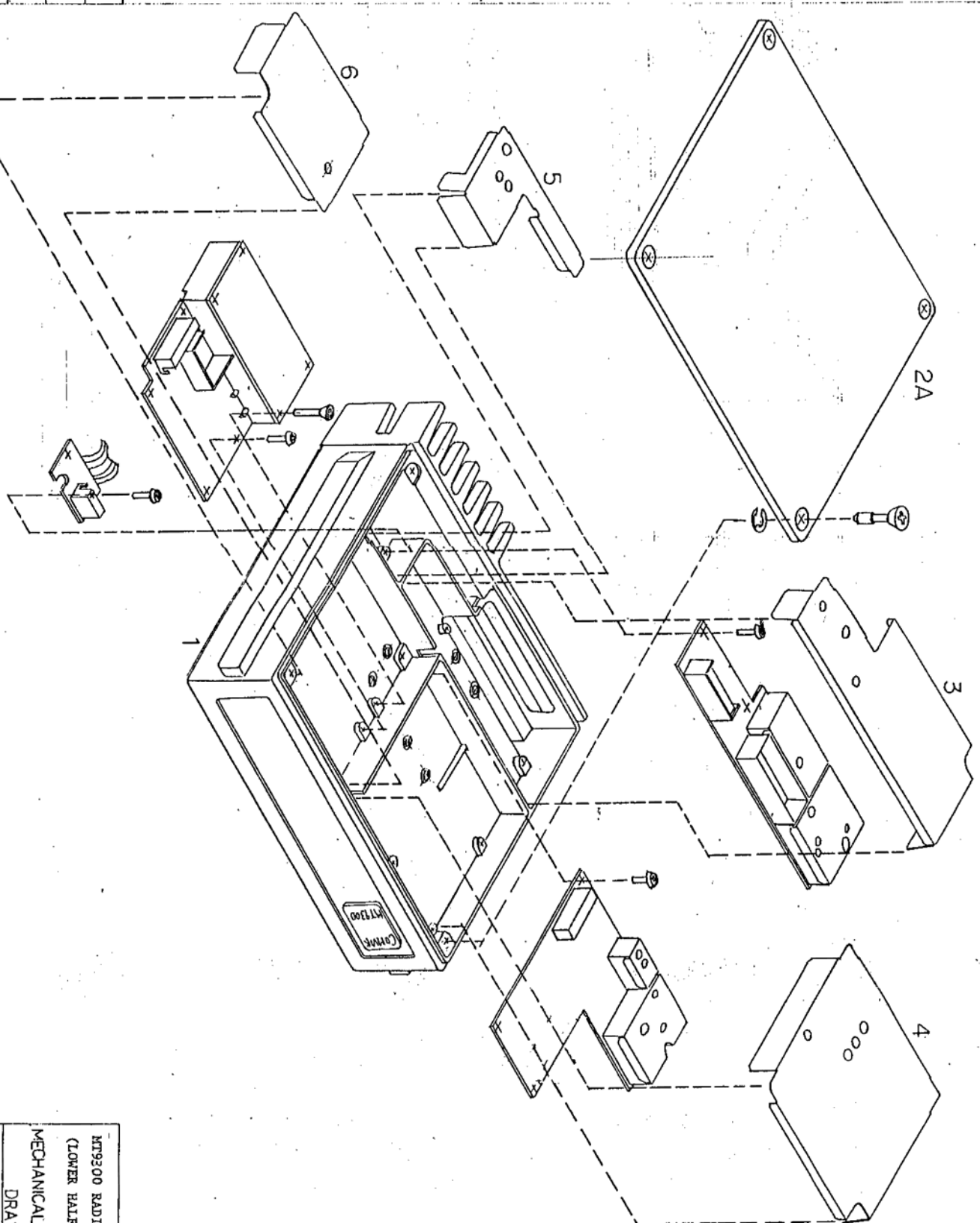
CHKD.

ENG.

T. Tabara

APP.

Y. Nishida



TOYOTA COMMUNICATION EQUIPMENT CO. LTD. TOYOTA JAPAN

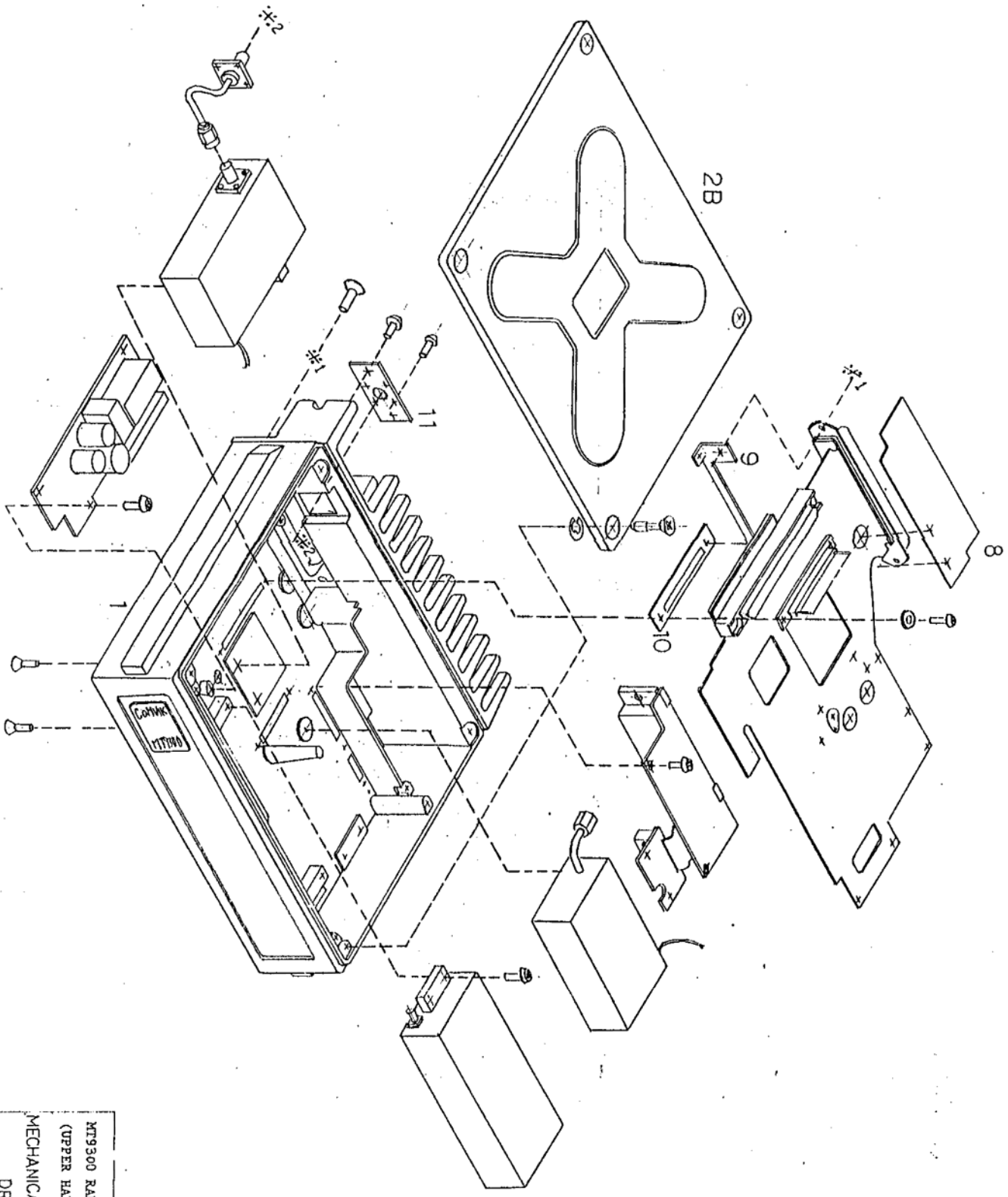
MT9300 RADIO SECTION
(LOWER HALF)
MECHANICAL ASSEMBLY
DRAWING
33-754165

DRWN
T. Yamada

CHKD.

ENG
T. Takano

APP
[Signature]



MT9300 RADIO SECTION
(UPPER HALF)

MECHANICAL ASSEMBLY
DRAWING

33-754166